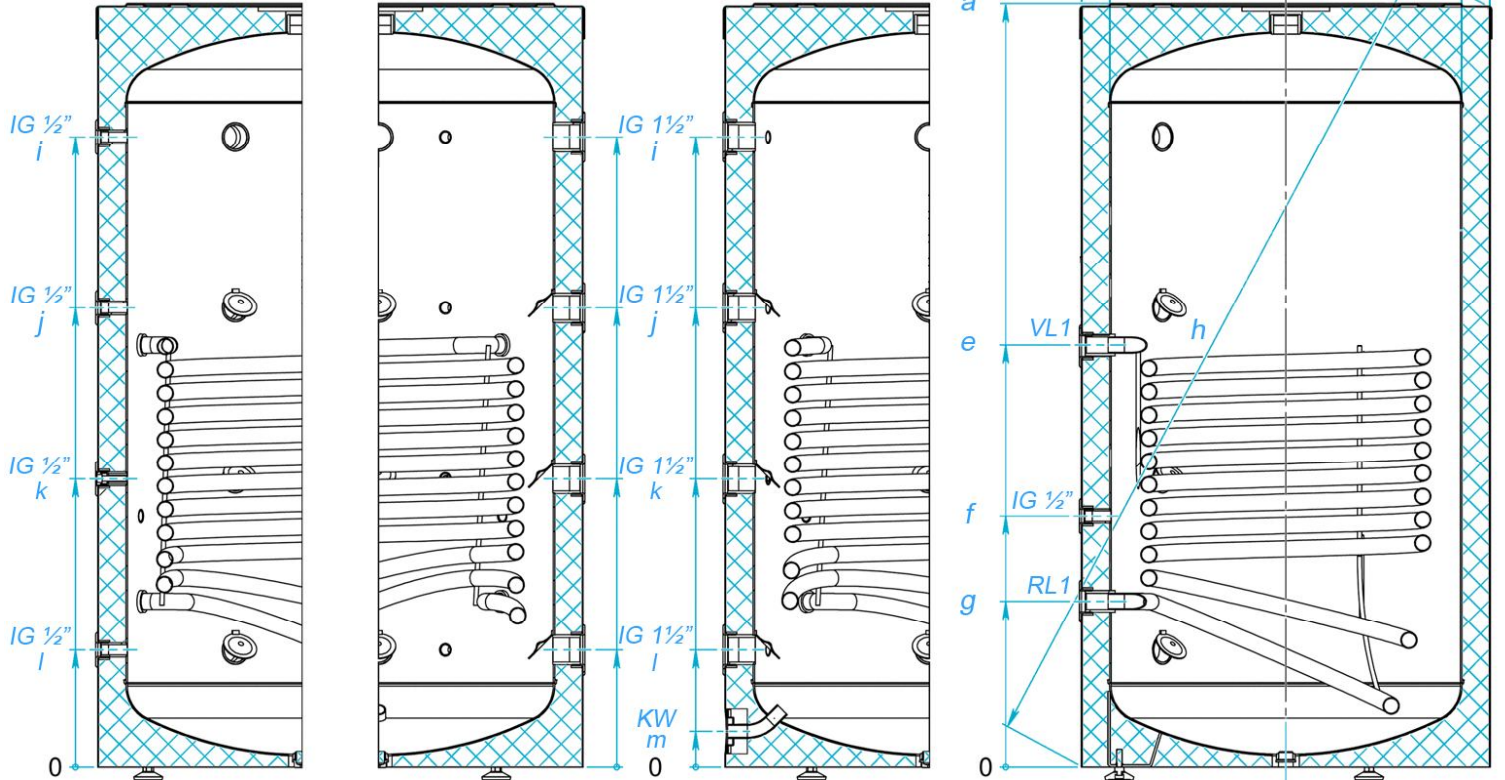


SECTION A-A

SECTION I-I

SECTION G-G

SECTION F-F



KW - Kaltwasser, IG 3/4"

VL1 - Solar / Heizung, IG 1"

RL1 - Solar / Heizung, IG 1"

