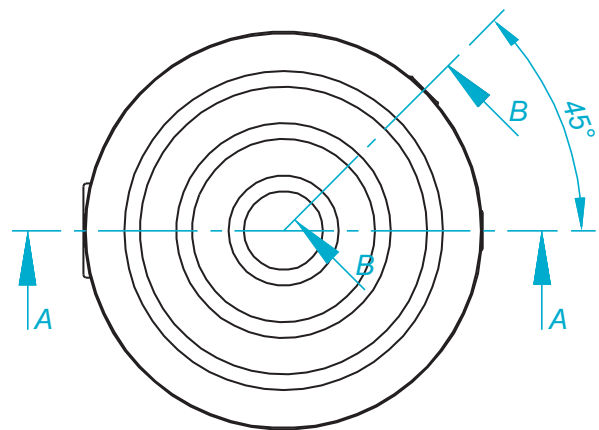
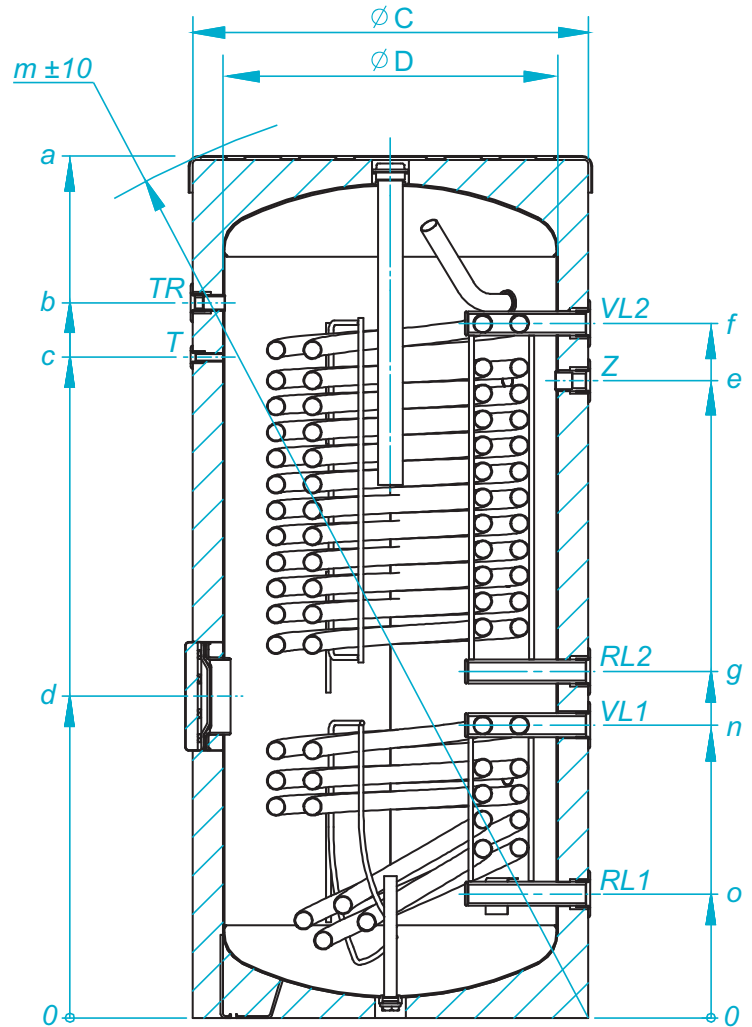
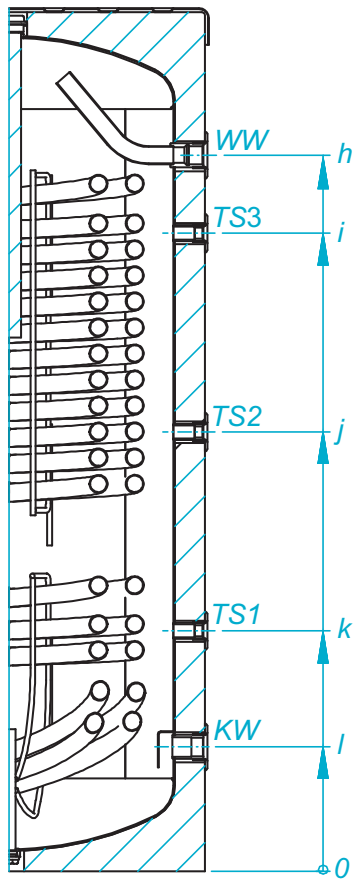


SECTION B - B



KW - Kaltwasser, IG 1 "
WW - Warmwasser, IG 1 "
VL1 - Solar / Heizung, IG 1 "
RL1 - Solar / Heizung, IG 1 "
Z - Zirkulation, IG ¾"

VL2 - Solar / Heizung, IG 1 "
RL2 - Solar / Heizung, IG 1 "
TS1,2,3 - Thermosensor / Fühler, IG ½"
TR - Thermoregulator / Manometer, IG ½"
T - Thermometer, Ø 14x1.5