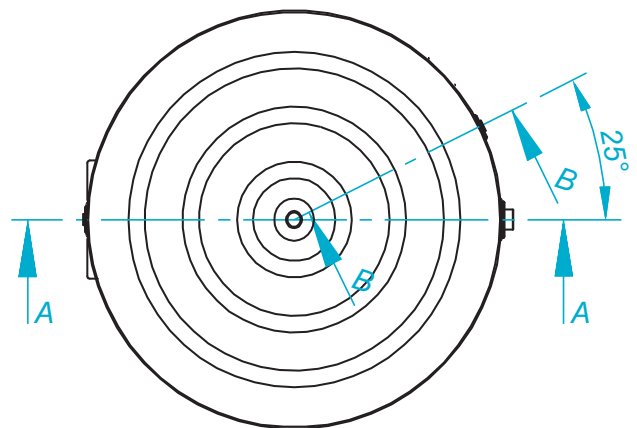
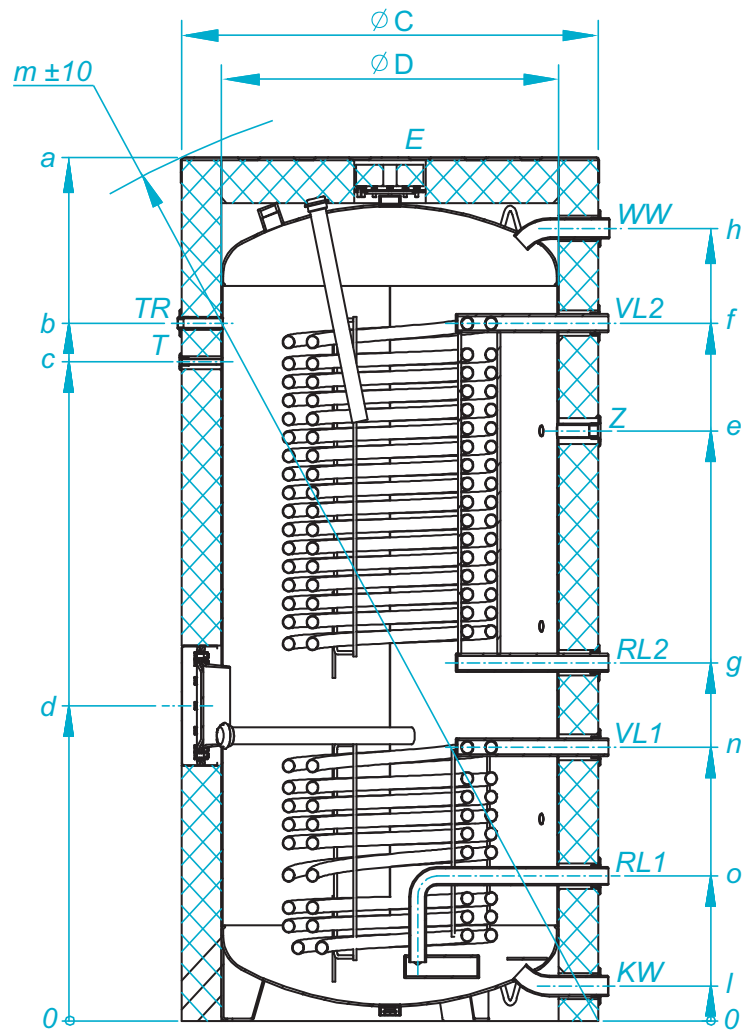
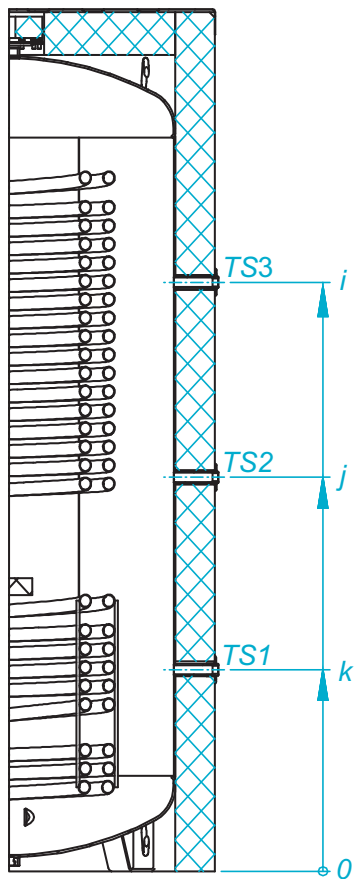


SECTION B - B



KW - Kaltwasser, AG 1½"
 WW - Warmwasser, AG 1½"
 VI1 - Solar / Heizung, AG 1¼"
 RL1 - Solar / Heizung, AG 1¼"
 Z - Zirkulation, IG ¾"

VI2 - Solar / Heizung, AG 1¼"
 RL2 - Solar / Heizung, AG 1¼"
 TS1,2,3 - Thermosensor / Fühler, IG ½"
 TR - Thermoregulator / Manometer, IG ½"
 T - Thermometer, Ø 14x1.5
 E - Entlüftung, IG ¾"