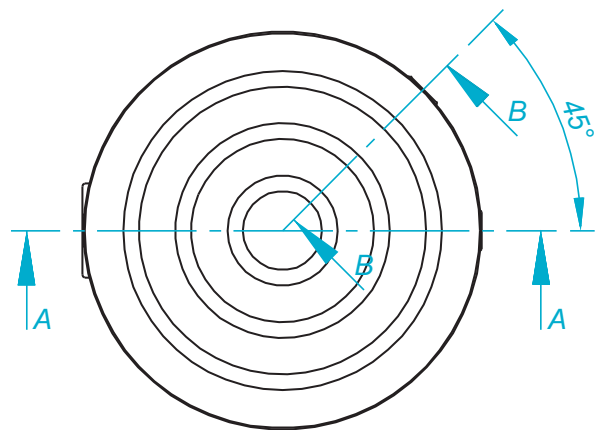
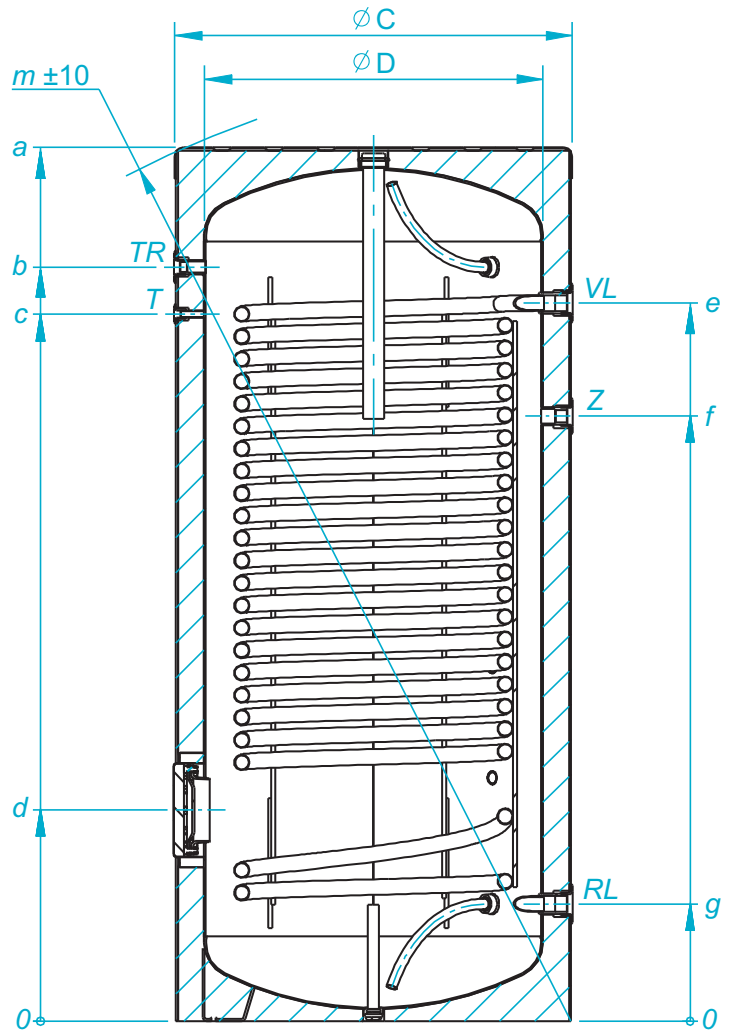
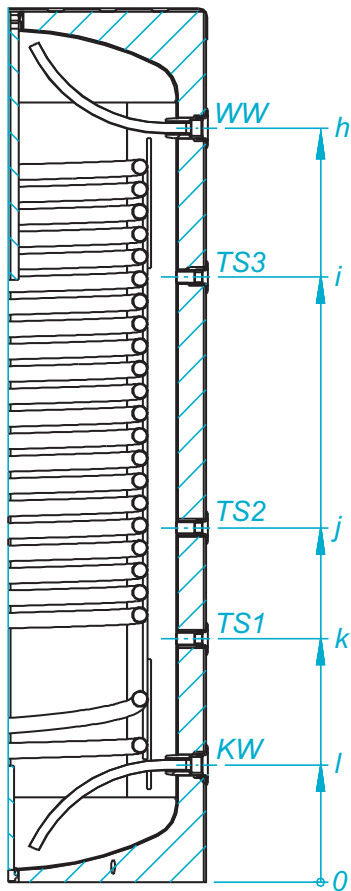


SECTION B - B



KW - Kaltwasser, IG 1 "  
 WW - Warmwasser, IG 1 "  
 VL - Solar / Heizung, IG 1 "  
 RL - Solar / Heizung, IG 1 "

TS1,2,3 - Thermosensor / Fühler, IG ½ "  
 Z - Zirkulation, IG ¾ "  
 TR - Thermoregulator / Manometer, IG ½ "  
 T - Thermometer, Ø 14x1.5